

WINDOW INSTALLATION METHOD A



Mounting Flange Window installed in a Membrane/Drainage System

Window installation based on Method "A" requires:

- The water resistive barrier to be applied after the window is installed
- The sill flashing to be installed and the window to be set before applying the jamb and head flashing

INSTALLION GUIDE:

INSTALL SILL FLASHING (STEP 1)

- Cut flashing material to correct length Prepare materials in advance of window (Figure 1)
- Apply horizontal sill flashing level with top edge of rough opening
- Each end of the sill flashing should extend approximately the width of the flashing beyond the rough opening at the jamb conditioning
- Allow for installation of WRB to slip behind sill flashing in a weatherboard fashion

WINDOW INSTALLATION (STEP 2)

- Install window per Window Manufacturer requirements (Figure 2)
- Flashings may not be compatible with all sealants, use sealants as indicated or verify compatibility as directed in AAMA 713
- Apply a continuous 3/8" bead of sealant on interior side of window flange

INSTALL JAMB FLASHING (STEP 3)

- Install jamb flashing on the left and right sides of the rough opening over the flange (Figure 3)
- Terminate jamb flashing approximately 1/2" beneath the top horizontal outside edge of the head flashing. Terminate jamb flashing 1/2" above the bottom horizontal outside edge of the sill flashing

Figure1: Install Sill Flashing

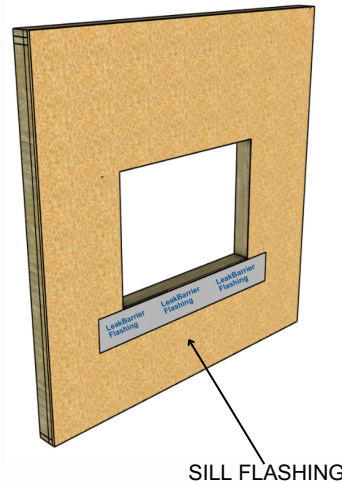


Figure 2: Install Window

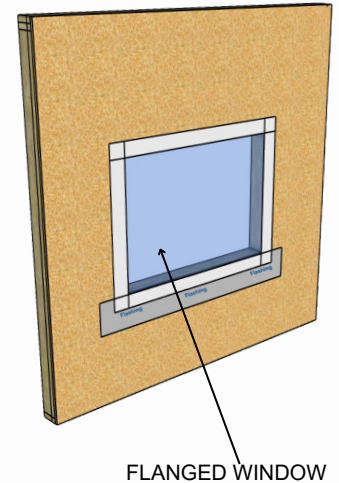
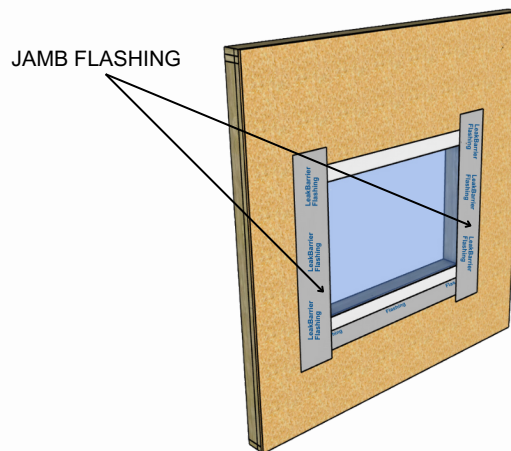


Figure 3: Install Jamb Flashing



INSTALLATION GUIDELINES AND LIMITATIONS

- INSTALLATION "METHOD A" REFERS TO COMMON WINDOWS (SURFACE MOUNTED).
- INSTALL WINDOW PER WINDOW MANUFACTURER REQUIREMENTS.
- SEE PRODUCT SPECIFIC TECHNICAL DATA SHEET FOR ROLL SIZES, MAXIMUM UV EXPOSURE, COMPATIBILITY CONCERNS, APPLICATION TEMPERATURES AND SERVICE TEMPERATURE LIMITATIONS.
- FLASHINGS MAY NOT BE COMPATIBLE WITH ALL MATERIALS AND SEALANTS. VERIFY ALL MATERIAL COMPATIBILITY AND VERIFY SEALANT COMPATIBILITY AS DIRECTED IN AAMA 713.
- HAND ROLL WITH FIRM PRESSURE SELF-ADHERED FLASHING MEMBRANES TO OBTAIN CONTINUOUS ADHESION.
- SUBSTRATES MUST BE CLEAN AND DRY.
- VERIFY WATER-RESISTIVE BARRIER AND FLASHING MEMBRANES ARE FREE FROM PROTRUSIONS OR DAMAGE PRIOR TO CLADDING INSTALLATION.
- CONTACT TARCO AT 800-365-4506 FOR TECHNICAL ASSISTANCE.

INSTALLION GUIDE:

HEAD FLASHING

(STEP 4)

- Apply window flashing over window head and over the flange (Figure 4)
- Extend head flashing at least 1" (25MM) beyond the outside edge of the jamb flashing on both sides

INSTALL THE WRB

(STEP 5)

- In weatherboard fashion starting at the base of the wall, install WRB to the face of building framing or sheathing
- At the sill of the windows, tuck the WRB under the sill flashing and loose ends of jamb flashing
- Continue to apply WRB in weatherboard fashion up and over the jamb and head flashing

Figure 4: Install Head Flashing

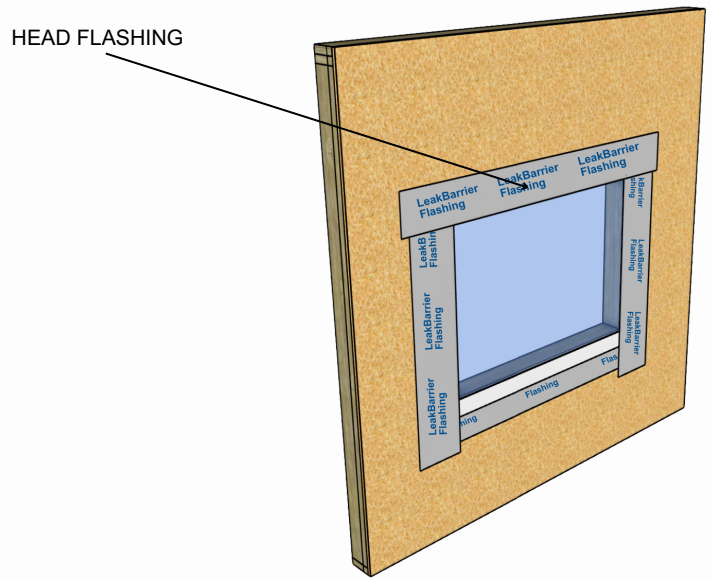
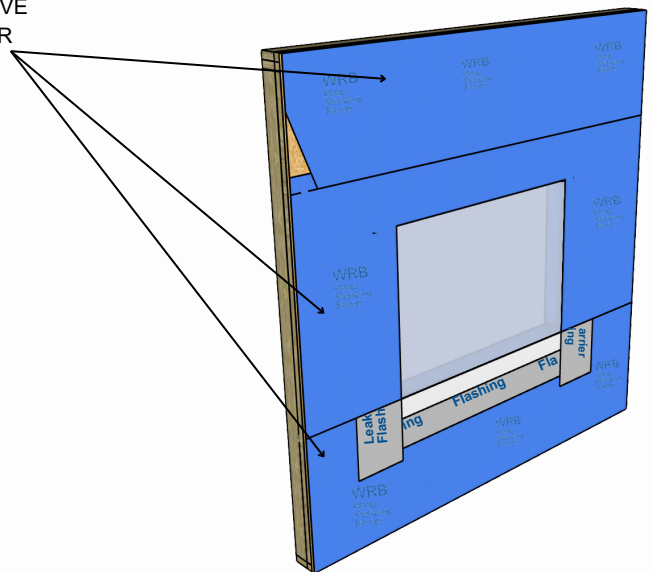


Figure 5: Install WRB

WATER RESISTIVE BARRIER



NOTE:

MANUFACTURER INSTALLATION GUIDELINES ARE FOR REFERENCE ONLY. TARCO DOES NOT ASSUME RESPONSIBILITY FOR ERRORS OR DEVIATIONS IN DESIGN OR ENGINEERING. PROJECT SPECIFIC VERIFICATION IS RECOMMENDED PRIOR TO INSTALLATION. DETAILS ARE NOT TO SCALE. REFER TO PRODUCT SPECIFIC TECHNICAL DATA SHEET FOR PRODUCT INFORMATION, RECOMMENDED AUXILIARY COMPONENTS AND INSTALLATION INSTRUCTIONS.



For more information visit: www.tarcoroofing.com